



GLASS ROOMS



CANOPIES



VERANDAS



VERANDA MONKEY™

PRODUCT BROCHURE

Quality. Design. Experience.

CONTACT US
FOR YOUR FREE
QUOTATION TODAY



0116 2961121

help@verandamonkey.co.uk

www.verandamonkey.co.uk



Contents

The Glass Room Range **4**

The Contemporary Glass Room 6-7

The Lifestyle Glass Room 8-9

The Traditional Glass Room 10-11

The Simplicity Glass Room 12-13

The Bioclimatic Glass Room 14-15

The Alfresco Range **16**

The Contemporary Alfresco 16-23

The Simplicity Range **24**

The Simplicity Xtra 24-29

The Simplicity 6 30-36

The Simplicity 16 37-42

The Simplicity 35 43-47

Heating & Lighting

Infrared Outdoor / Reflex Glass Heaters 48

Modular Heaters / LED Lights 49

Rafter Bar **50**

Product Configurator 52-53

The content is the most current at the time of printing however we have the right to change any specification at all times without prior notice. This is our policy of continual improvement.

Outdoor Living Solutions



The *Glass Room Range*

When it comes to making the garden a part of your customers home, our glass rooms are perfect in terms of style, design and versatility. Using our unique designs, we are sure to have a system to offer that will be in-keeping with the appearance and function that your customers are looking to achieve and within an affordable budget.

Our retractable glass sliding doors or fixed glass panels will offer unbroken panoramic views of the surroundings and protect those underneath from the elements, opening your home up to the 'outdoor living indoor' experience.

A glass room allows users to enjoy the outside all year

round and will become the heart of any home.

Each system is individually designed and manufactured to reflect your customers aspirations and requirements, as well as to maximise the space that they have available.

Glass rooms also add value to properties as well as style and character no matter where they are situated within the UK.

All our glass rooms are constructed from aluminium profiles which can be powder coated to any colour and covered with toughened glass roof panels. We also offer shading solutions as well as optional heating and lighting which can transform the outdoors into an area that can be used all year round.



5 systems



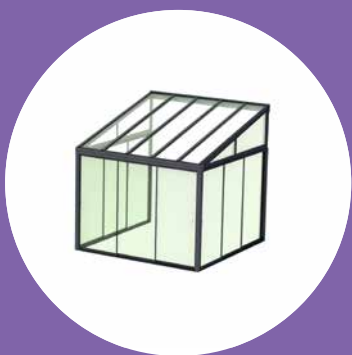
**The Contemporary
Glass Room**



**The Lifestyle
Glass Room**



**The Traditional
Glass Room**



**The Simplicity 6
Glass Room**



**Bioclimatic
Glass Room**





The *Contemporary* Glass Room

This uniquely designed Glass Room will offer both style and elegance to any property. When incorporating Glass Sliding Doors or Glass Infill Panels, all year round weather protection will be provided allowing the end user to enjoy their outdoor living experience.

The Contemporary Glass Room will become the focal point of any home, permitting your customers to plan their entertaining or outdoor dining without fear of any disruption from the UK variable weather.

The contemporary design can be further enhanced with the introduction of integrated LED lighting which can change the mood and ambience of the alfresco living experience.

Further additions of heaters will also offer greater functionality on those chilly evenings, whilst the fitting of a Screener Veranda will provide all the sun protection the average family will need.

With a 6m span between posts, it will ensure the panoramic views of the surroundings are completely uncompromised.

All the framework is aluminium and has the option of being powder coating to match any RAL colour and features 8mm toughened clear glass in the roof.

"Having updated all of our windows and created an area for bi-folding doors, we were looking for a veranda to let us use the garden area all year round and bring the outside in. We didn't want a traditional looking veranda so when we saw the contemporary alfresco, it suited the house perfectly. Having an unimpaired view from the bi-folding doors was really important and the 6m post span is perfect. We use the space for entertaining in the summer months but as we are quite near the coast, protection from the wind was important. The sliding doors work so well and maintain the uninterrupted view of the garden and coastline."

**MR & MRS SIMPSON
BOURNEMOUTH, DORSET**





The *Lifestyle* Glass Room

Is your customer looking for a structure that blends modern styling with minimal chic?

Why not introduce them to the Lifestyle Glass Room?

A beautiful outdoor living solution that will enhance the pleasure gained from enjoying time outdoors which is no longer limited to the warm summer months thanks to the Lifestyle Glass Room. By adding sliding glass doors and fixed glazed panels, the end user can take in the view throughout the whole year.

"Our old veranda had vertical awnings on the sides and whilst this was great for shade protection, it wasn't good in the wind. We wanted a solution where we could have the best of both worlds and now have this with our glass room. We like the sleek design of the system and the large span between the posts. A great addition to our home."

MR C. SOUTHALL
ELY, CAMBRIDGESHIRE





The *Traditional* Glass Room

Are you looking to offer the all in one outdoor living solution?

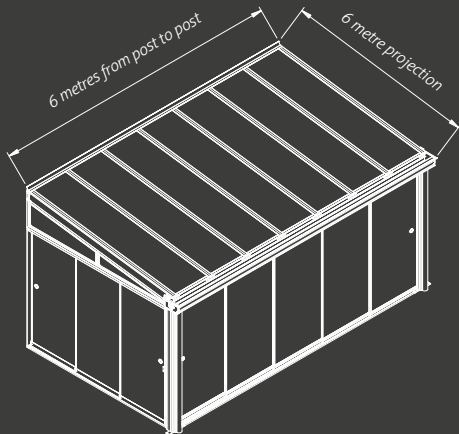
The Traditional Glass Room is the best of the best. We have taken the elegant design of the traditional Alfresco and made it possible for use in all weather conditions, and we still managed to retain the classy yet traditional look.

This ornate high end option has been designed with elegance in mind. With a large span and projection, it truly allows the end user to take in all aspects of their garden. The fully enclosed feature allows use of the system all year round.

The sleek glass sliding doors and fixed glass panels allows your customers to adapt the purpose of their glass room all year round. They can fully open them on hot summer days, and close them during the colder months of the year to protect them from harsh winds and downpours enabling them to get the most from their outdoor living experience.

"The patio was due for renewal and we wanted to maximise the time we spent in the garden. The traditional alfresco design fitted in with the rustic charm of our cottage and we love to entertain and relax in this space, sheltered from the elements."

**MR G. LARSON
MERSEYSIDE**





The *Simplicity* Glass Room

Enable your customers to enhance their outdoor experience whether they like entertaining, dining or just relaxing in their garden. The versatility of a Simplicity 6 Glass Room will provide that life style.

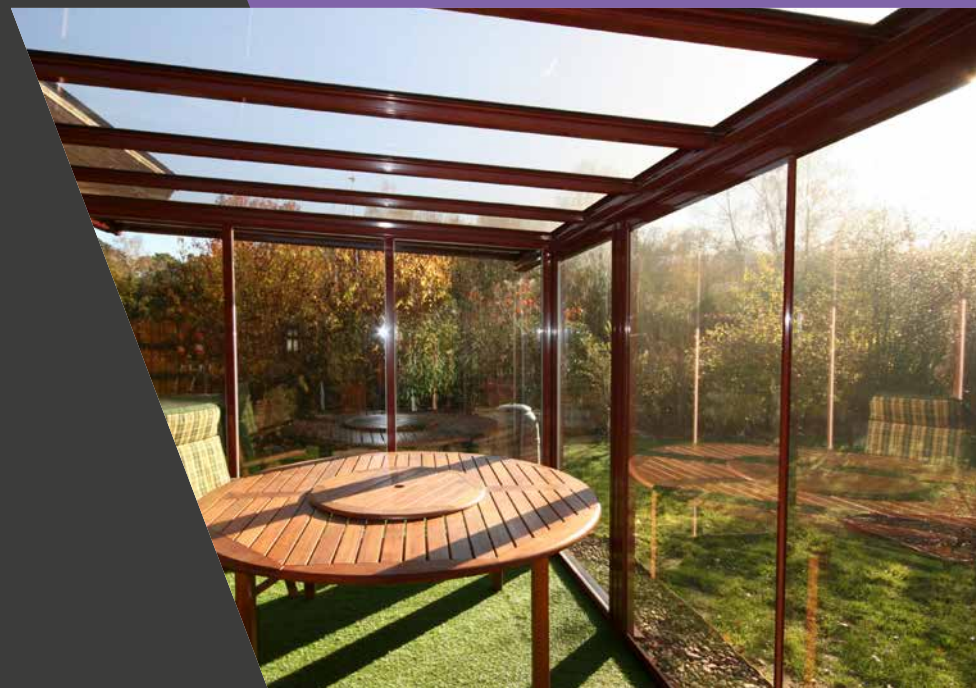
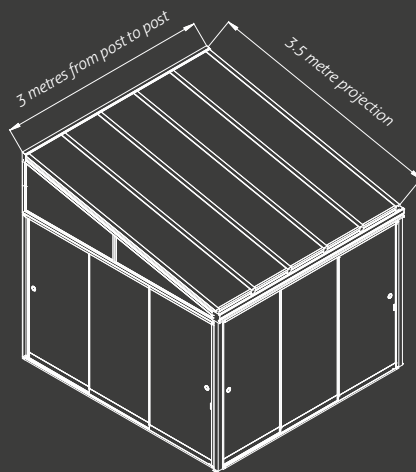
Our stylish glass veranda now has the added feature of incorporating retractable glass sliding doors and fixed panels to create an outdoor room that is weather protected and can be used all year round.

The Simplicity 6 Glass Room is the perfect choice for domestic gardens due to its shading and optional heating and lighting features. This system will transform the UK glass room market as it has all the style, features and benefits of all glass room systems but the **PRICE and QUALITY** will exceed all expectations.

The framework is completely manufactured from aluminium and can be powder coated to a RAL colour. It also features 6mm toughened glass that is available in a range of tinted options.

"Due to the limited patio space we had, it was a struggle to find a product which didn't take up a lot of space but would give us a sheltered area that we could enjoy the garden in all year round. The Simplicity 6 Glass Room met our needs perfectly and we find ourselves in it most days thanks to the heaters and lighting that we opted for."

MRS G. BRAITHWAITE
ESHER, SURREY





The *Bioclimatic* Glass Room

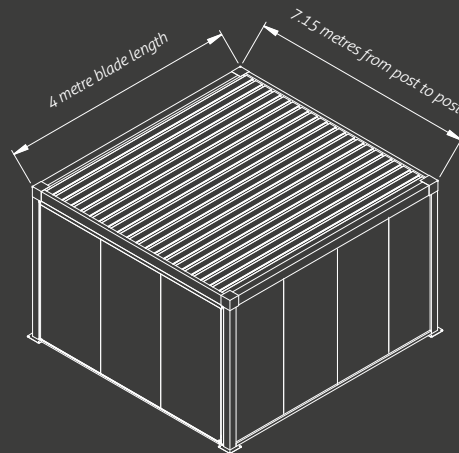
The Bioclimatic Glass Room is the ultimate in modern design, this truly individual solution can be configured to meet any design requirements.

It is available with fixed glass panels, sliding glass doors, vertical zip screens, LED lighting and adjustable louvered vertical panels. You can be assured that there is a solution that will meet your customers requirements.

With this system the end user really has the best of both worlds, they can simply open the doors or adjust the louvers in the roof for ultimate control over their outdoor experience.

"We love the "wow" factor of our pergola and the versatility that it brings. Adding the glass doors create the ultimate garden room which is a comfortable space all year round. It's the envy of the neighbourhood!"

**MR & MRS TOWNSHEND
ST. ALBANS, HERTS**





The Alfresco Range

The all new Alfresco Range consists of 3 very different looking structures to compliment any surrounding. Whether it's traditional, contemporary or something a little more subtle, the Alfresco Range really does have it covered. All structures are available with integrated LED lighting, heating, the glass room upgrade and hidden fixings.

All systems within the Alfresco range have the option to span a massive 6 metres from post to post which means that the view is never compromised.

We have worked closely with a leading designer to create an innovative and truly stunning range of systems that will enhance and add value to your customer's homes, allowing them to be sheltered and comfortable in their gardens whatever the weather.

The structures can be glazed with either 8mm toughened glass or 35mm polycarbonate sheets. The glass option

offers improved acoustic properties reducing the noise of rain during a downpour as well as providing a sparkling finish which is easy to maintain.

Like our other systems they are made completely from aluminium for ultimate longevity. They feature easy-fix clip on profiles that hide fixings and downpipes to give a stylish and modern look. This also means that any cabling for additional extras such as lighting, heating or even a sound system can be hidden from view with no unsightly trailing cables.

Each system can be manufactured to an exact size to suit requirements and can be polyester powder coated to ANY RAL or BS colour.

The Alfresco is supplied with a 10 year guarantee and a minimum 25 year life expectancy and many optional extras. The 3 systems shown overleaf are the Contemporary Alfresco with its clean minimal looks, the Lifestyle Alfresco with its rounded face soft finish and the Traditional Alfresco with its ornate gutters, clip-on claddings and stunning high end finish.

3 options

**Ideal for BIG SPAN VERANDAS, GLASS ROOMS
and OUTDOOR DINING CANOPIES.**

The Alfresco Range is the latest addition to our veranda range and with its massive 6 metre span between posts, your customers view is never compromised.

It is available with LED integrated lighting, heating has concealed fixings and is made entirely from aluminium. The Alfresco Range is the perfect solution for creating a unique and practical outdoor space for garden parties, barbecues and all kinds of family and social events all year round.

**All of the Alfresco structure are available
with a 35mm polycarbonate roof system**



**The *Contemporary*
Alfresco**



**The *Lifestyle*
Alfresco**



**The *Traditional*
Alfresco**



option 1



The *Contemporary* Alfresco

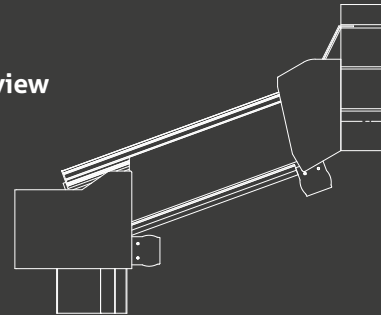
Introducing the Contemporary Alfresco, with clean lines and minimal looking aluminium extrusions which have been designed with simplicity in mind. This sleek, yet modern structure has a subtle elegance that will never go out of style.



The optional integrated LED Lighting and heaters enable your customers to use the structure in to the evening, and for complete shelter from the elements they can opt for the glass room upgrade as seen on pages 6-7.

The fixings are hidden with aluminium trims and the downpipes are inside of the posts and can be connected either underground drainage or diverted to a surface drain.

Cross section view

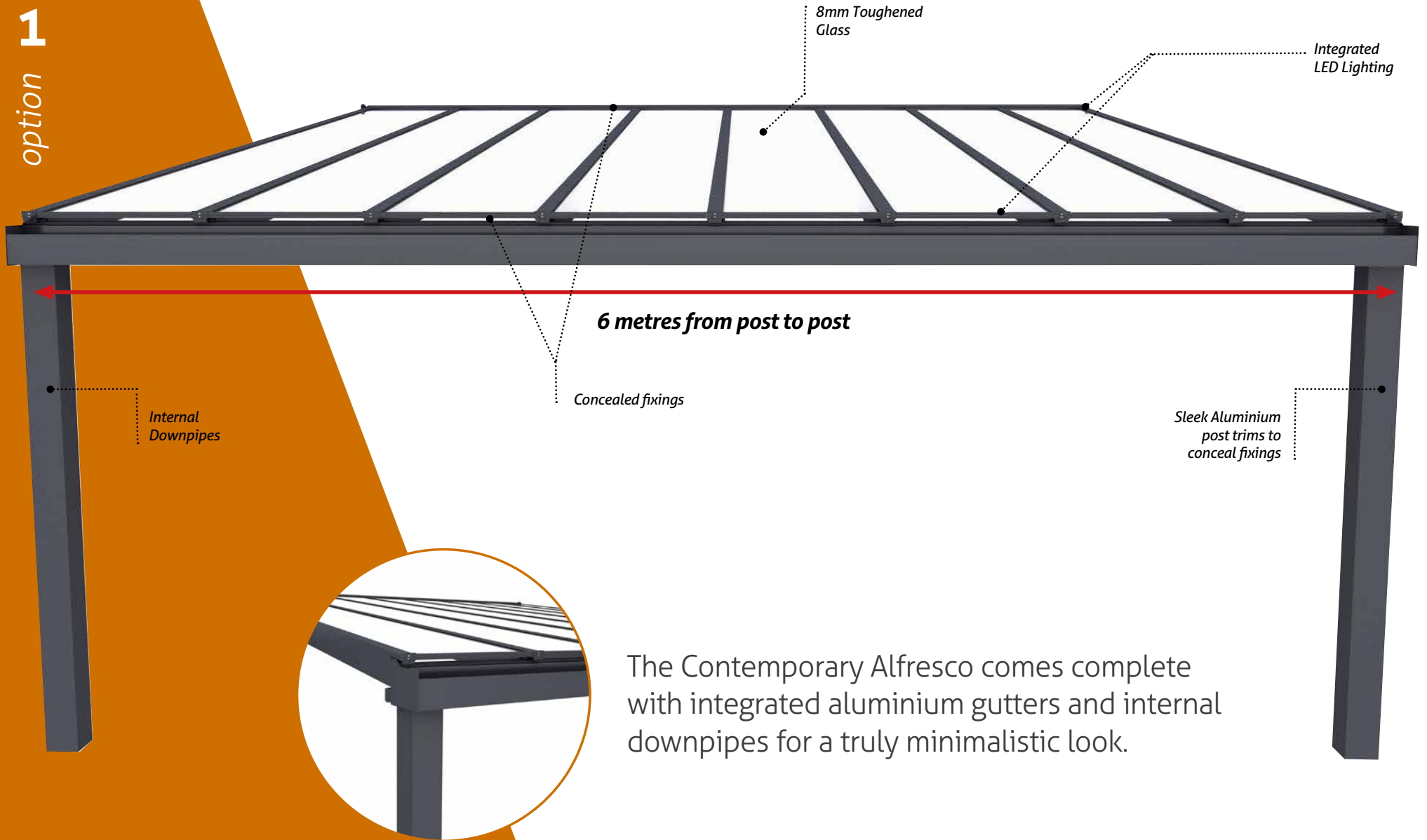


SUITABLE FOR BIG SPAN CARPORTS



SUITABLE FOR BIG SPAN VERANDAS & OUTDOOR DINING CANOPIES

option 1



The Contemporary Alfresco comes complete with integrated aluminium gutters and internal downpipes for a truly minimalistic look.

The *Contemporary* Alfresco

Features & Benefits

- **Full 10 Year Guarantee** – The Alfresco Range is supplied with a full 10 year guarantee and a minimum 25 year life expectancy for the canopy frame
- **Choice of Glass or Polycarbonate** – Choose to have either 8mm toughened glass or 35mm polycarbonate which is Class 1 BS EN 12600 for impact Performance
- **Low Maintenance** – All systems are aluminium so maintenance is significantly reduced compared to PVC options which are available elsewhere on the market
- **Available Projections** – Up to an impressive 6 metres maximum
- **Integral Aluminium Guttering and Easy-Fix Profiles** – Creates a sleek, modern design

Projection up to 6m

Posts Spacing

Projection: Up to 6m

Spacing: 6.0m

Glazing Bars Spacing

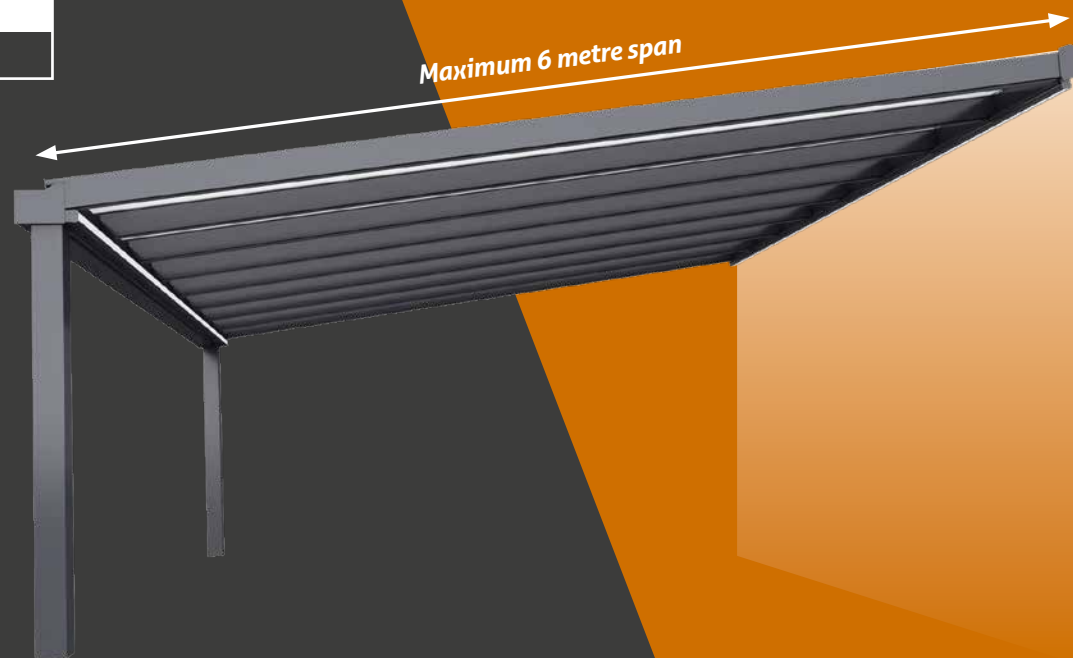
Projection: Up to 6m

Spacing: 800mm

Pitch

5 degrees minimum to 45 degrees maximum

These are general calculations, once we understand your requirements we will perform an assessment for wind and snow loadings based on your postcode.



The Contemporary Alfresco has an Integrated LED Lighting System and aluminium trims to conceal the fixings and give a quality finish.



The *Contemporary* Alfresco

Optional Upgrades

The Contemporary Alfresco can be supplied with a host of upgrades to enhance the experience of using the area.

These include:

- **Remote Controlled Integrated LED Lighting** which will enable your customers to enjoy the area into the evening.
- **Infrared Heaters** to make the area more comfortable on those chilly days and nights.
- **Fixed or Sliding Glass Side or Front Panels** to give your customers complete weather protection around the front or the sides of the structure.
- For the best of both worlds a **Screener Veranda** can be installed on top of the structure to offer automated shade whenever required
- **Wide Range of Colour Options** – The aluminium frame can be finished to any RAL colour



GLASS ROOM



LED LIGHTING AVAILABLE



INFRARED HEATERS AVAILABLE



SCREENER VERANDA SUN SCREEN



ANY RAL COLOUR OPTION

Available as a Glass Room Upgrade. See pages 6-7 for more details.

Available in any RAL colour



Glass Room Upgrade



Screener Veranda Upgrade

The *Simplicity* Range

The Simplicity range of solutions have been designed with quality longevity and speed of installation in mind.

We have developed these systems to be completely made from aluminium so that they last the rigorous of the British weather.

They can be glazed with either glass or polycarbonate so that you can be assured they can meet most budgets.

We place a lot of importance on keeping things simple and quick to install (hence the name) this means these products are really simple for your clients to maintain.

Having a range of options is also important so that customers can enhance the experience by adding upgrades like lighting, heating and additional protection from the elements.

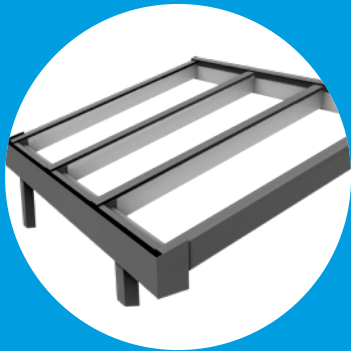


Cost effective carport or garden veranda systems that are quick and easy to install.

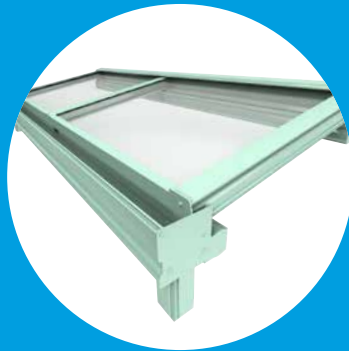
4 options

All aluminium solutions available in any colour

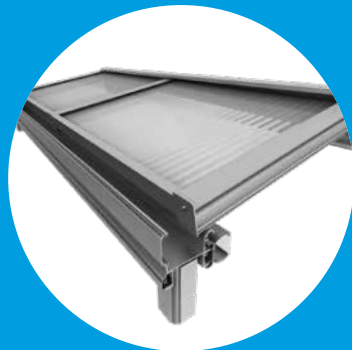
We have 4 very different options with 4 sets of upgrades within the Simplicity range which will enable you to specify a product to most applications and budgets.



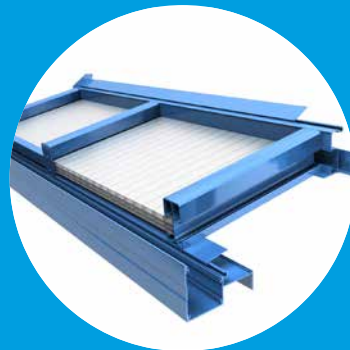
The *Simplicity Xtra*



The *Simplicity 6*



The *Simplicity 16*



The *Simplicity 35*



option 1



The *Simplicity Xtra* Glass Veranda

Features & Benefits

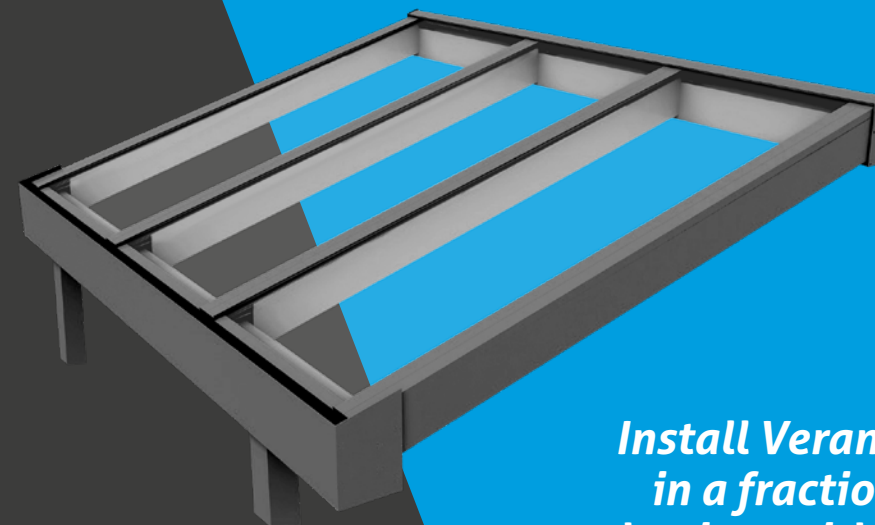
- **Easy Glaze Roof System** – The Simplicity Xtra features an easy glaze roof system to make the installation process much quicker and simpler
- **4m Projection** – The Simplicity Xtra veranda can span up to 4 metres (glass length) to cover areas with a large projection
- **Unlimited Length** – The length is unlimited, allowing your customers to cover the whole length of their home/ building
- **Aluminium Frame** – The frame is made completely from aluminium for strength and longevity
- **Glass Roof** – The roof is covered with 6mm glass as standard, tinted glass and 6mm self-cleaning glass is available as an upgrade (please contact us for glass upgrade prices)
- **Integrated Guttering** – Guttering is integrated into the veranda frame for a sleek appearance and minimal maintenance. Available with a choice of internal or external downpipes
- **Upgrades Available** – Which include remote controlled dimmable integrated spot lights, the Victorian Upgrade, Wall Mounted Heaters and Self-Cleaning Glass
- **4m Between Posts** – There is a 4m spacing between the posts for an almost undisturbed view
- **Available in Any RAL Colour** – The aluminium frame is supplied in a choice of White (RAL 9016) or Anthracite Grey (RAL 7016) as standard. Other RAL colours are available at an additional cost
- **10 Year Guarantee** – Supplied with a 10-year guarantee and a 25-year life expectancy

Information on the design load and maximum span limits is available on request.

Projection up to 4m

Posts Spacing	
Projection:	Up to 4m
Spacing:	4.0m
Glazing Bars Spacing	
Projection:	Up to 4m
Spacing:	600mm
Pitch	
From 2.5 degrees to 22.5 degrees	

These are general calculations, once we understand your requirements we will perform an assessment for wind and snow loadings based on your postcode.



*Install Verandas
in a fraction of
the time with the
Simplicity Xtra*

option **H**



The *Simplicity Xtra* Glass Veranda

Optional Upgrades

- **Victorian Upgrade Available** – Transform the contemporary Simplicity Xtra into an ornate, traditional structure that fits in with older style buildings seamlessly.
- **Integrated LED Lighting Available** – Remote Controlled Integrated LED Lighting will enable your customers to enjoy their glass room, late into the evening.
- **Wall Mounted Heaters** - Add wall mounted heaters to make your customers' glass rooms more comfortable on those chilly days and evenings.
- **Wide Range of Colour Options** – The aluminium frame can be finished to any RAL colour.



VICTORIAN UPGRADE



INTEGRATED LED LIGHTING



WALL MOUNTED HEATERS



ANY RAL COLOUR OPTION



Optional LED Integrated Spot Lighting



Available in any RAL colour



Wall Mounted Heaters



LED Remote Control Unit



The *Simplicity* 6

The Simplicity 6 is a stylish veranda, canopy and carport system that is glazed with a choice of 6mm toughened glass.

With elegant posts and optional glass roofing, this product offers you a deluxe canopy or veranda at an affordable price. By featuring the option of glass roofing, the Simplicity 6 offers improved acoustic properties – reducing the noise of rain drops during a downpour; these glass panels also provide a sparkling finish which is easy to maintain, particularly if the self-cleaning glass is chosen.

All framework is constructed from durable aluminium, with the option to powder coat the structure to any RAL colour.

The Simplicity 6 is the perfect veranda solution for domestic gardens and provides effective and stylish cover from the weather for alfresco dining and garden parties.

With a span of up to 3.5m glass length from its supporting wall, and an unlimited length you will have a solution that can be adapted to suit your exact needs.

The Simplicity 6 comes with a full 10 year guarantee and a 25 year life expectancy, making this a real investment that you will be able to enjoy for many years to come.

Now available in either white or anthracite grey as standard.

"The veranda has made a big difference to our property and it has created a great outside space all year around. In warm weather it's great for eating outside and to entertain and in cooler or wetter weather can still be used to sit outside in the garden with some shelter."

MR. GREEN - BASILDON, ESSEX



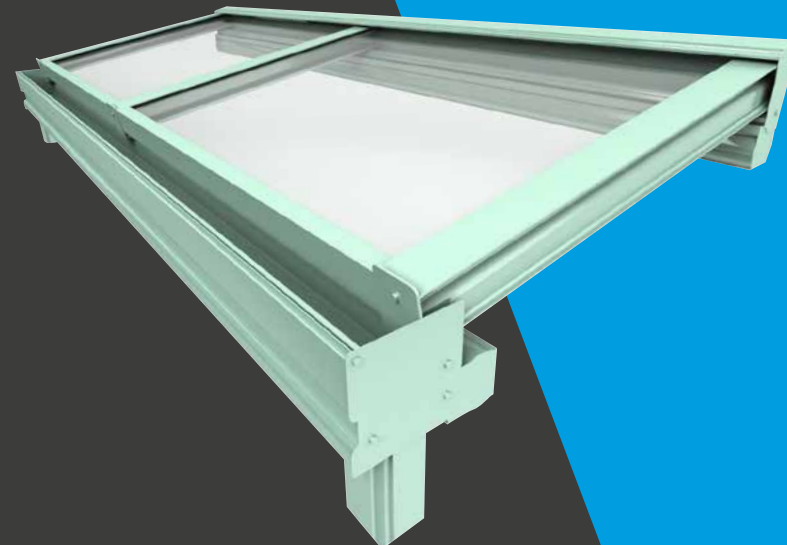
SUITABLE FOR GARDEN
VERANDAS & CANOPIES



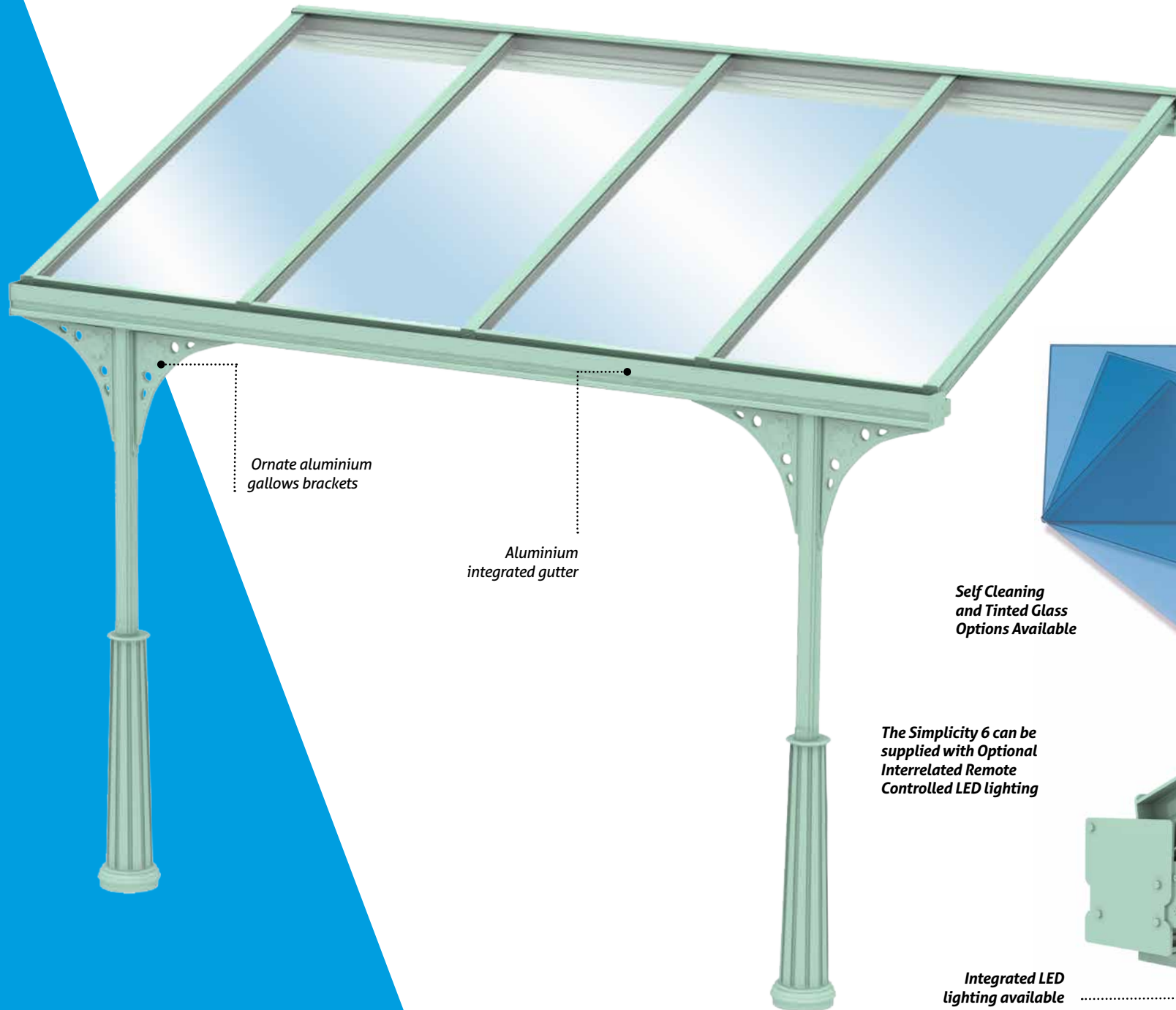
SUITABLE FOR
DINING AREAS



Victorian post upgrade



option 2



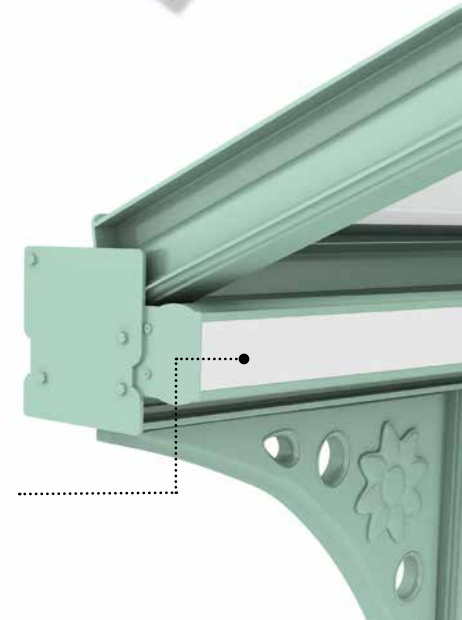
*Ornate aluminium
gallows brackets*

*Aluminium
integrated gutter*



*Self Cleaning
and Tinted Glass
Options Available*

*The Simplicity 6 can be
supplied with Optional
Interrelated Remote
Controlled LED lighting*



*Integrated LED
lighting available*

The *Simplicity 6*

Features & Benefits

- **Full 10 Year Guarantee** – The Simplicity 6 is supplied with a full 10 year guarantee and a 25 year life expectancy for the canopy frame
- **UV Activated Self-Cleaning Glass** – Optional 6mm self-cleaning toughened glass has a UV activated special coating that is applied during manufacture that breaks down organic dirt which is then washed away by the rain. Only a small amount of UV is needed to activate the special coating so that the veranda remains clean even on cloudy days
- **Toughened Glass** – Both glass options are toughened during manufacturing and achieve Class 1 BS EN 12600 for impact performance
- **Low Maintenance** – All roof options are low maintenance, particularly the self-cleaning glass, which means less cleaning is required, saving you time and money
- **High Light Transmittance** – All roof options offer high light transmittance
- **Available Projections** – Up to 3.5m projection (Bar length)

- **Simple Fixing System with Minimal Parts** – For a simple and speedy installation
- **Low Profile** – The Simplicity 6 can be fitted in height restricted areas
- **Integral Aluminium Guttering** – Creates a sleek, modern design which is stronger than external guttering systems and saves time on installation

Information on the design load and maximum span limits is available on request.

Projection up to 3.5m

Posts Spacing

Projection: Up to 3.5m

Spacing: 3.0m

Glazing Bars Spacing

Projection: Up to 3.5m

Spacing: 600mm

Pitch

From 2.5 degrees to 22.5 degrees

These are general calculations, once we understand your requirements we will perform an assessment for wind and snow loadings based on your postcode.



Optional Galls Available



Base Castings and Galls Brackets Available

option 2



The *Simplicity* 6

Optional Upgrades

- **Wide Range of Colour Options** – The aluminium frame can be finished to any RAL colour
- **Victorian Upgrade Available** – Enhance your structure with traditional style decorative post sleeves and gallows brackets
- **Infrared Heaters** - Wall Mounted Infrared Heaters can be added to the veranda to create a warm and cosy atmosphere
- **Integrated LED Lighting Available** – Lighting can be added to the veranda to enable your customers to entertain when the sun goes down
- **Glass Options** – 6mm clear toughened, 6mm clear self-cleaning, 6mm toughened tinted grey and blue and 6mm toughened self-cleaning tinted blue glass.

-  **VICTORIAN UPGRADE**
-  **OPTIONAL REMOTE CONTROLLED LED LIGHTING AVAILABLE**
-  **INFRARED HEATERS AVAILABLE**
-  **GLASS OPTIONS**
-  **ANY RAL COLOUR OPTION**
-  **CONTEMPORARY 70MM x 70MM SQUARE POST AVAILABLE**



Victorian Upgrade



Optional Integrated Lighting



Infrared Heaters



Available in any RAL colour



LED Remote Control Unit

option 3



Image above shows additional side panels supplied by a trade partner.

The *Simplicity* 16

It's simple; the Simplicity 16 has been developed with speed of installation, durability and cost in mind.

Due to its clever design, the Simplicity 16 provides a durable and attractive shade and shelter solution at our most cost-effective price. It can project up to 4 metres (subject to technical loading calculations) and has a lightweight roofing system, making it perfect for use as a carport or canopy.

The stylish modern design gives a look that is second to none, enhancing the adjoining building's aesthetics. It also offers unbeatable structural performance, simply outperforming all other carport and canopy systems pound for pound.

This highly versatile canopy and carport system offers a variety of solutions for:

- **Carports**
- **Verandas**
- **Smoking Shelters**
- **Walkway Canopies**
- **Covered Play Areas**
- **Porch Canopies**
- **Caravan Shelters**

The Benefits of using this system:

All-aluminium system: The Simplicity 16 is manufactured solely from aluminium to offer exceptional longevity and easy maintenance. It also features hidden, integral guttering for a clean, modern appearance.

High speed installation: We have developed this system in partnership with one of the most prolific extrusion designers in the industry. Through his extensive expertise and using our knowledge gained from 25 years experience, we have created the simplest fixing system possible.

Impact resistance: Some of the systems on the market today use PVC or GRP roof panels which do not have the impact resistance of polycarbonate. We only use triple wall 16mm polycarbonate sheeting to ensure that the structure lasts and has the impact resistance and the snow loading capabilities suitable for anywhere in the UK.

Variable Roof Pitch: Unlike the majority of roof kits, which only offer a fixed pitch, the Simplicity 16 offers a pitch range of 2.5 degrees to 22.5 degrees to give more height at the back or to enable a low wall plate installation.

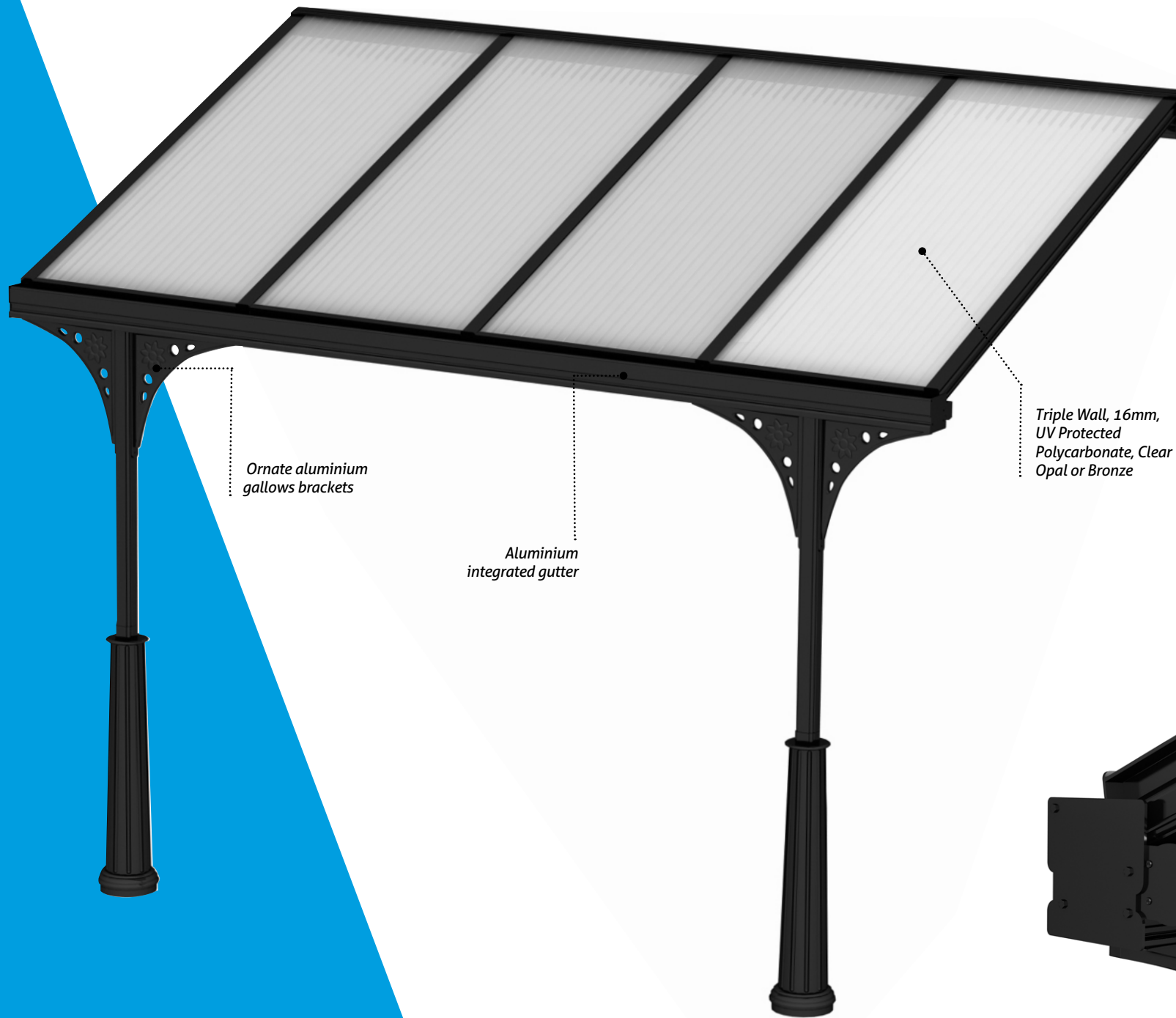


SUITABLE FOR
GARDEN CANOPIES



SUITABLE FOR
CARPORTS

option 3



*Ornate aluminium
gallows brackets*

*Aluminium
integrated gutter*

*Triple Wall, 16mm,
UV Protected
Polycarbonate, Clear
Opal or Bronze*



The *Simplicity* 16

Features & Benefits

- **Available in any length**
- **Available Projections** – Available up to 4m projection depending on snow load
- **Full 10 Year Guarantee** and a 25 year Life Expectancy
- **Simple fixing system with minimal parts** - For quick and easy installation
- **Low profile** – The Simplicity 16 can be fitted in areas where height is restricted
- **Stainless Steel Fixings** – All fixings are 316 marine grade stainless steel
- **Integral Aluminium Guttering** – Saves time on installation and is also stronger than an external gutter system.
- **16mm Structured Polycarbonate Panels** – Available in a clear or opal finish
- **High UV Protection** – A layer of UV absorber is co-extruded onto our roofing panels to offer high UV protection

Information on the design load and maximum span limits are available on request.

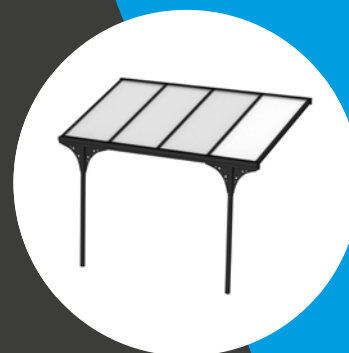
Projection up to 4m

Posts Spacing			
Projection:	Up to 4m		
Spacing:	3.0m		
Glazing Bars Spacing			
Projection:	Up to 3m	3.001m - 3.5m	4m
Spacing:	1m	700mm	500mm
Pitch			
From 2.5 degrees to 22.5 degrees			

These are general calculations, once we understand your requirements we will perform an assessment for wind and snow loadings based on your postcode.

"We are extremely pleased with this and have had nothing but excellent responses from everyone who has seen it."

MR. PEEL
BLANDFORD FORUM, DORSET



Optional Gallows Available



Base Castings and Gallows Brackets Available

option 3









The *Simplicity* 16

Optional Upgrades

The Simplicity 16 can be supplied with upgrades as follows:

- **Wide Range of Colour Options** – The framework can be finished to any RAL colour
- **Victorian Upgrade Available** – Enhance the structure with traditional style decorative post sleeves and gallows brackets
- **Integrated LED Lighting Available** – Lighting can be added to your veranda to enable your customers to entertain when the sun goes down
- **Infrared Heaters Available** – Infrared Heaters can be added to the to your veranda to create a warm and cosy area underneath
- **Roof Panel Colours** can be either Opal, Clear or Bronze

-  **VICTORIAN UPGRADE**
-  **OPTIONAL LED LIGHTING AVAILABLE**
-  **INFRARED HEATERS AVAILABLE**
-  **ROOF PANEL COLOUR OPTIONS**
-  **ANY RAL COLOUR OPTION**
-  **CONTEMPORARY 70MM x 70MM SQUARE POST AVAILABLE**



Victorian Upgrade



Infrared Heaters



Available in any RAL colour

option 4



The *Simplicity* 35

A large domestic or commercial solution. Perfect for schools, colleges, hospitals and local Authority establishments or large span carports and verandas due to its durability, versatility, and unlimited length.

It is **completely constructed from aluminium**, giving you a structure with unbeatable durability together with a life expectancy of up to 25 years. This robust system is also supplied with a full 10 year guarantee.

The Simplicity 35 can be manufactured to **any length** to meet specific requirements and can **span up to 6 metres**, enabling you to cover multiple cars easily with minimum posts. It has a modern, stylish appearance and benefits from robust integral aluminium guttering which creates an attractive finish to the structure whilst also ensuring a quick installation. Furthermore, this aluminium guttering requires minimal subsequent maintenance throughout the products lifetime.

The Simplicity 35 system features 35mm structured polycarbonate roof panels, which are available in clear or opal and

offers in excess of 98% UV protection which reduces the risk of your vehicle paintwork fading and will protect anyone using the area from harmful UV rays.

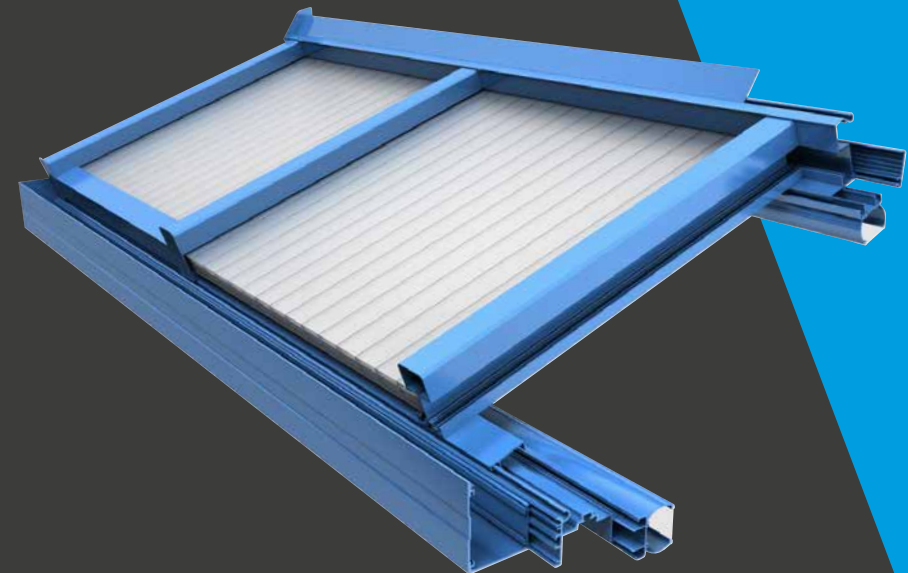
The Simplicity 35 has a **variable wall pitch from 2.5° - 45°** so that you can decide on the height of the wall-plate to suit your needs – ideal for taller vehicles such as campervans and caravans. The aluminium framework, which is supplied in white as standard, can be coloured to any RAL or BS colour to match existing window and door frames or to create an attractive contrasting effect.

The Simplicity 35 is also the perfect veranda or canopy for commercial settings as well as private homes.

This contemporary yet robust system has passed the ACR(M) 001:2005 Test for Non-Fragility of Profiled Sheeted Roof

Assemblies and is certified as a Non-Fragile system (providing the installation conforms to span and loading charts – please contact us for more information). This glazing system must be used in conjunction with the supplied polycarbonate to conform to wind and snow loadings for the UK.

The Simplicity 35 is available in any RAL colour to meet specific requirements.



SUITABLE FOR BIG SPAN CARPORTS



SUITABLE FOR COMMERCIAL CANOPIES & WALKWAYS

option 4



*Optional Ornate
Aluminium Gallows
Brackets*

*Aluminium
integrated gutter*

*Dual Gaskets on all
Aluminium bars*

*35mm shatter resistant,
UV protected, 7 wall
polycarbonate sheets*

*The Simplicity 35 has an
Integrated LED Lighting
System and aluminium
trims to conceal the front
canopy fixings and give a
quality finish.*

*Integrated LED
lighting available*

The *Simplicity* 35

Features & Benefits

- **Full 10 Year Guarantee** and a 25 year life expectancy
- **Fully Aluminium System** – Including heavy duty structural aluminium roof bars for ultimate strength
- **Stainless Steel Fixings** – All of the fixings are 316 marine grade stainless steel for longevity and total resistance to corrosion
- **Integral Aluminium Guttering** – Saves time on installation and creates a robust and attractive gutter system
- **35mm Structured Polycarbonate**
Our 7 wall polycarbonate is amongst the strongest you can buy.
- **Fire Performance** – Polycarbonate panels benefit from excellent fire performance, meeting BS476 part 7 class 1, EN13501 and B-s1, d0
- **Robust Roof System** – The roofing system is strong enough to be walked on as a means of escape and maintenance, with the use of boards (edge protection recommended)
- **High UV Protection** – A layer of UV absorber is co-extruded on the outer surface of the roof panels which prevents damaging UV radiation from penetrating the sheet and protects those underneath from the sun. UV

protection also prevents yellowing and loss of strength to the panel, giving it longer life

- **Variable Roof Pitch** – The roof has a variable pitch of between 2.5° – 45°
- **Large Projection** – Projection of up to 6 metres to create large shaded areas if required
- **Unlimited Length** – This structure can be constructed to any length to suit requirements

Information on the design load and maximum span limits is available on request.

Projection up to 6m

Posts Spacing			
Projection:	Up to 4m	4.1m - 6m	
Spacing:	3.5m	3m	
Glazing Bars Spacing			
Projection:	Up to 4.5m	4.5m - 5.3m	5.301 - 6m
Spacing:	1250mm	700mm	500mm
Pitch			
From 2.5 degrees to 45 degrees			

These are general calculations, once we understand your requirements we will perform an assessment for wind and snow loadings based on your postcode.



Optional Gallows Available



Optional Gallows, Base Castings & Cast Collars

option 4



The *Simplicity* 35

Optional Upgrades

The Simplicity 35 comes with a host of upgrades to enhance the area.

- **Wide Range of Colour Options** – The framework can be finished to any RAL colour
- **Victorian Upgrade Available** – Transform the Simplicity 35 into a decorative structure with the Victorian Upgrade
- **Infrared Heaters Available** – Add Infrared Heaters to your veranda to create a warm and cosy area underneath when socialising or dining outside in your garden
- **Integrated LED Lighting Available** – Optional lighting to your veranda to enable you to entertain when the sun goes down



VICTORIAN UPGRADE



OPTIONAL INTEGRATED REMOTE CONTROLLED LED LIGHTING AVAILABLE



INFRARED HEATERS AVAILABLE



ANY RAL COLOUR OPTION



Victorian Upgrade



Optional Remote Controlled LED Lighting



Infrared Heaters



Available in any RAL colour



LED Remote Control Unit

Infrared Outdoor *Heaters*

The infrared wall mounted heaters have ceramic elements that are designed to gently warm adults and children whilst outdoors under a covered structure such as a canopy using Far Infrared technology which is completely harmless and contains no ultraviolet radiation or fumes.

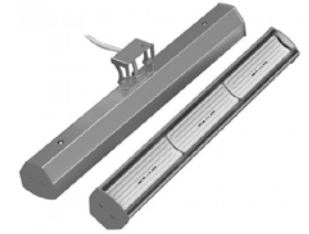
The heaters also do not emit or noise and provide a gentle heat similar to the feeling of the winter sun.

Your customers can enjoy keeping warm outside without feeling too hot and without experiencing any unsightly glare.

The ceramic plates generate heat quickly and reach their full operating temperature within less than 10 minutes.

Each unit is supplied with a 5 year warranty and require no maintenance. They are CE certified and carries the UL safety recognition (file no. E214574) when installed by an approved electrician.

Size:
Available with 2 or 3 heated elements to create medium or large heated areas with a choice of different power outputs.



Reflex Glass Heaters

A powerful, waterproof short-wave heater (IR-A) with a tinted, ceramic-glass front that provides instant heat in all outdoor areas. The heaters include brackets for wall and ceiling mounting however, they are available with a frame for ceiling installation.



Available with
Dimmer and
Remote

Reflex *Sound*

Bluetooth speakers for outdoor use – perfect for under a veranda.

- High quality, long lasting speakers
- Waterproof, IP Protection Class IP65
- The heater case, glass and frame are available in a choice of colours including black or silver
- Size: 900mm x 170mm x 80mm
- Colour Black only
- Available with a remote control
- Can be connected together with the Relax Heaters
- 2-year guarantee

Modular *Heaters & LED Lights*

Our unique modular heaters and LED Lights offer individual combinations for every project.

They compliment all our canopies, verandas and awnings, are easy to install and waterproof.

Combine single modules or standard sets to every desired colour and length – 10, 20, 30, 50 or 100m.

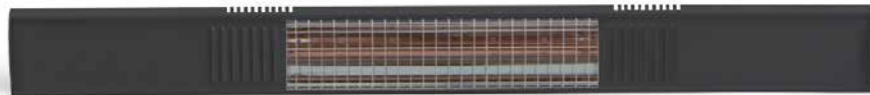
Choose from our standard colours pure white (9010), Black (9005) and anthracite (7016) or with a supplementary charge for an individual colour of your choice.

Mounting brackets are included whether single modules or standard modular sets.

M1



M2



M3



Modular Sets



WATERPROOF • EASY TO FIT



The units simply click together

Typical product uses

Big Span Canopies



Entrance Canopies



Steel Canopies



Walkway Canopies



Glass Canopies

Rafter *Bars*

The Milwood Rafter Bar is a highly versatile aluminium component which can be used to create either curved roofing systems, roof tops for carports or garden canopies.

They can also be used to re-roof existing structures. It is compatible with 6mm glass, 16mm and 35mm polycarbonate, allowing you to offer a wide range of glazing options without the need for various sized rafter bars, saving on cost and storage space.

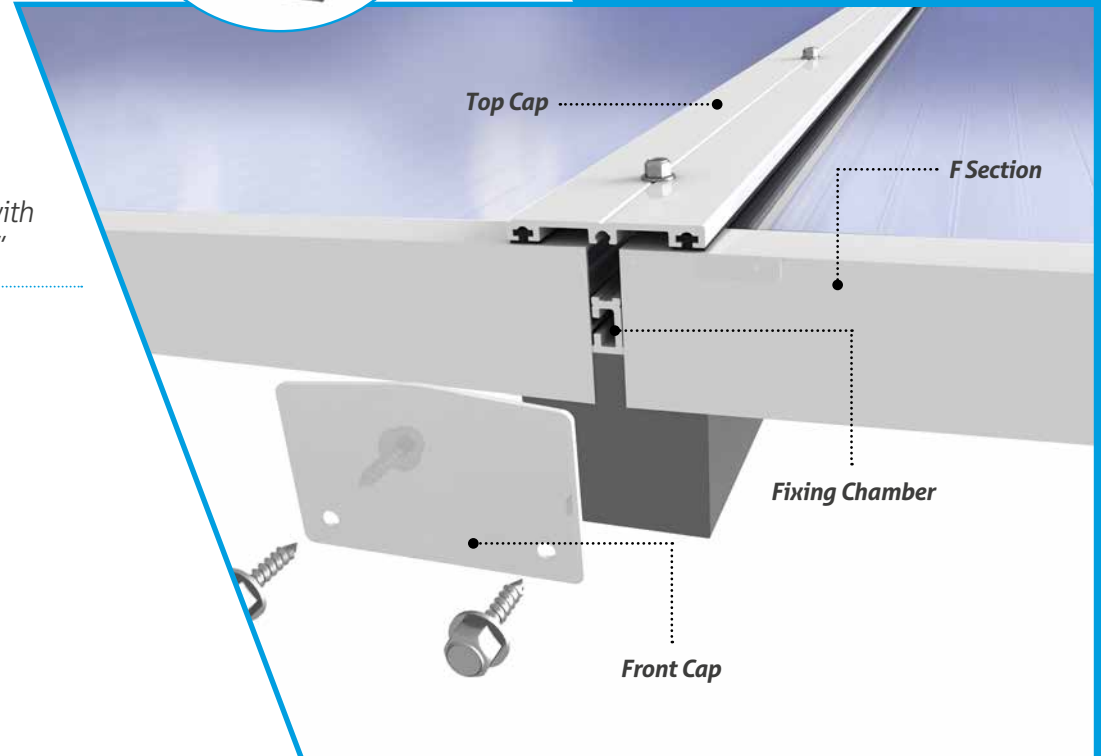
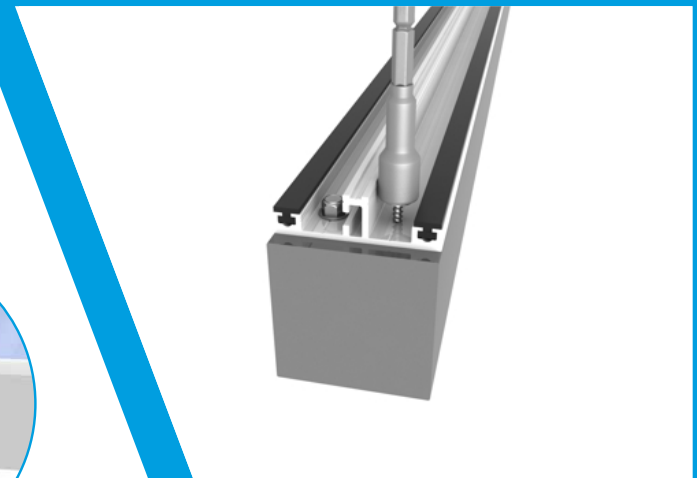
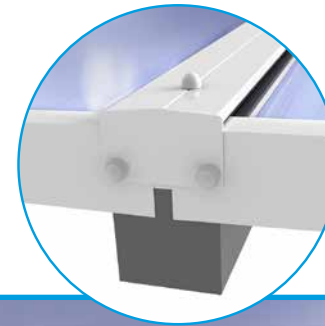
This rafter bar is a 2 part aluminium bar with dual gaskets for expansion and contraction of the glazing material.

This bar needs an underside support and will span up to 1.5m (curved from purlin to purlin) and 1m unsupported from purlin to purlin at 2.5 degrees pitch.

The rafter bars are available up to 6m long and are powder coated white as standard and can include F section front and back as part of a roof kit.

"The kit was easy to self install with minimal parts and a neat finish."

**MR WIGGINS
FRINTON ON SEA, ESSEX**





Product Configurator

Compare the features of our flexible Simplicity Systems and other products to see what matches your customer's requirements for glass rooms, carports, canopies, verandas and pergolas.

Product Range	The Alfresco Range	Simplicity Xtra	Simplicity 6	Simplicity 16	Simplicity 35	Bioclimatic Pergolas
All Aluminium System	✓	✓	✓	✓	✓	✓
Maximum Projection	6 metres	4 metres	3.5 metres	4 metres	6 metres	Variable depending on orientation of Louvers
Maximum Length	Unlimited	Unlimited	Unlimited	Unlimited	Unlimited	Unlimited
Roof Panel Material	8mm Toughened Glass	6mm Toughened Glass	6mm Toughened Glass	16mm Polycarbonate	35mm Polycarbonate	Aluminium
Distance Between Posts	6 metres	4 metres	3 metres	3 metres	3.5 metres	7 metres
Internal Downpipes	✓	✓	✓	✓	✗	✓
Available in Any Colour	✓	✓	✓	✓	✓	9 frame colours Up to 3 blade colours
Victorian Upgrade Facility	✗	✓	✓	✓	✓	✗
Heaters Available	✓	✓	✓	✓	✓	✓
Lighting Compatible	✓	✓	✓	✓	✓	✓
Glass Room Available	✓	✓	✓	✗	✗	✓





VERANDA MONKEY™ VERANDA MONKEY™ VERANDA MONKEY™ VERANDA MONKEY™ VERANDA MONKEY™ VERANDA MONKEY™

THE MONKEY BUSINESS



FRIENDLY SERVICE
we love a bit of monkey chatter!



FITTING SERVICES
leave it to our great apes, jungle experts!



SWINGING DELIVERY
fast & reliable



THE BANANA PHONE!
give us a call!

telephone us on

0116 2961121

or drop us an e-mail

help@verandamonkey.co.uk

www.verandamonkey.co.uk